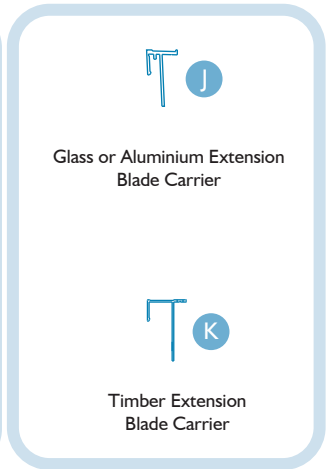
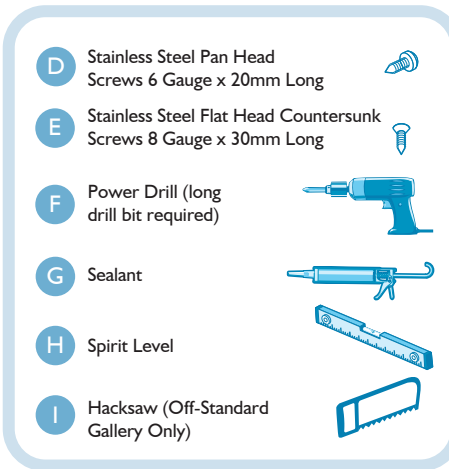
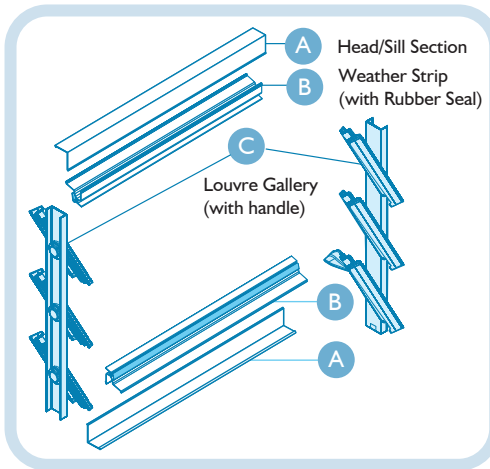


Installation Instructions

Standard Height Gallery

Fixings

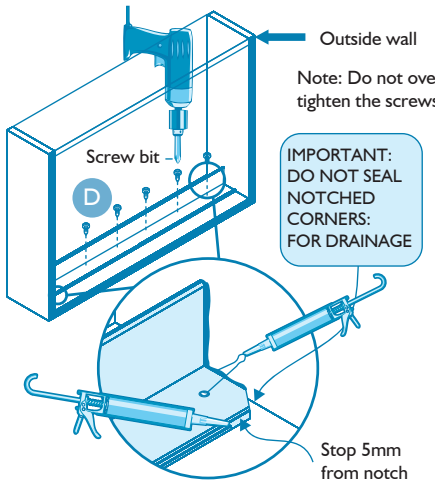
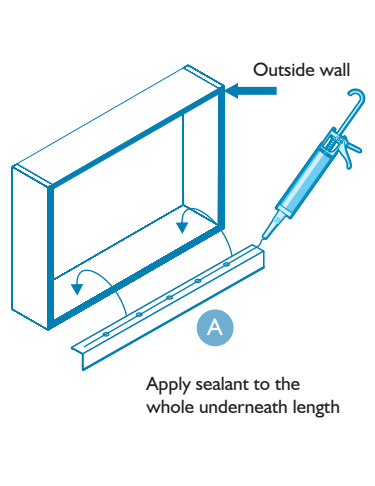
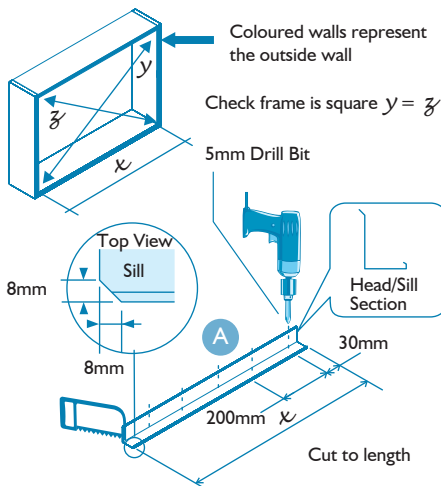
Off-Standard Height



1 Check frame to be true, drill holes in sill

2 Apply sealant to sill

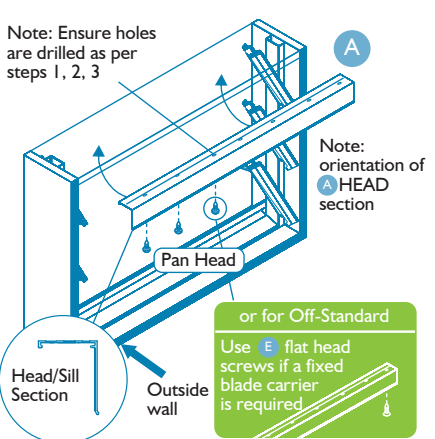
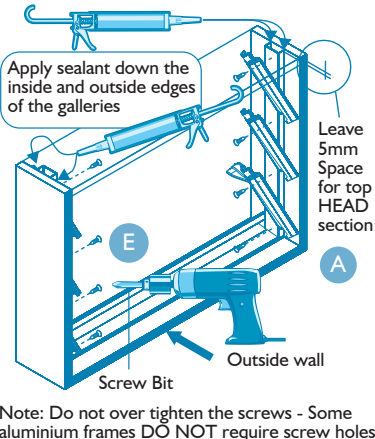
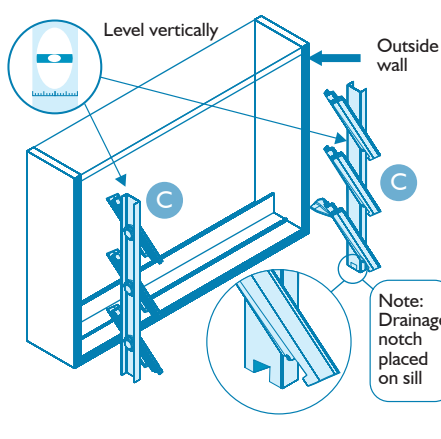
3 Attach sill



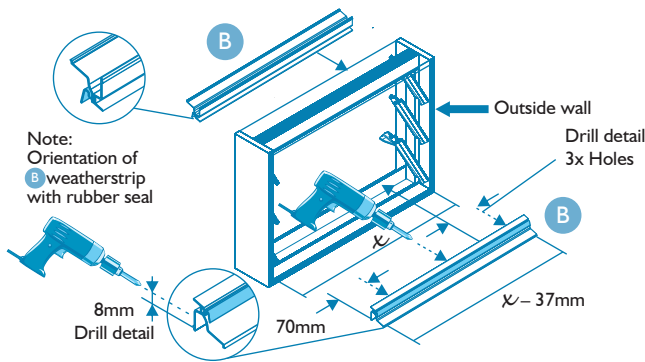
4 Insert louvre galleries

5 Attach Louvre galleries

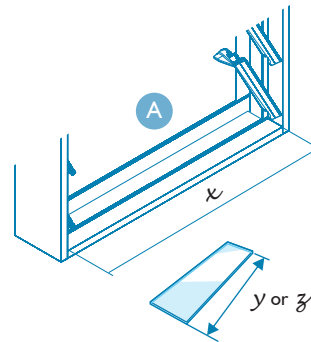
6 Insert and attach head section



7 Check galleries to be true and plumb (Standard Height Only)



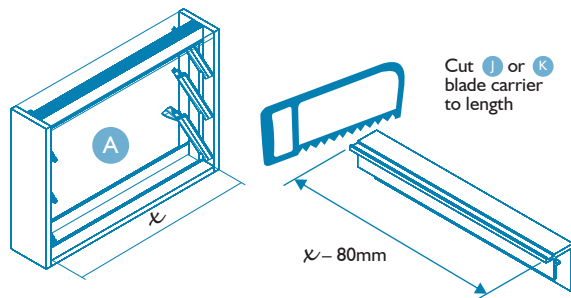
8 Calculation of blade width (Standard Height Only)



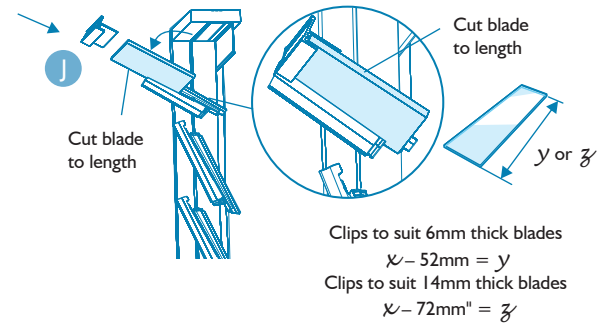
Clips to suit 6mm thick blades
 $x-52\text{mm} = y$
Clips to suit 14mm thick blades
 $x-72\text{mm} = z$

TO INSERT BLADES:
Slide blades into clips from the inside of the building. Wet clips to ease installation of blades

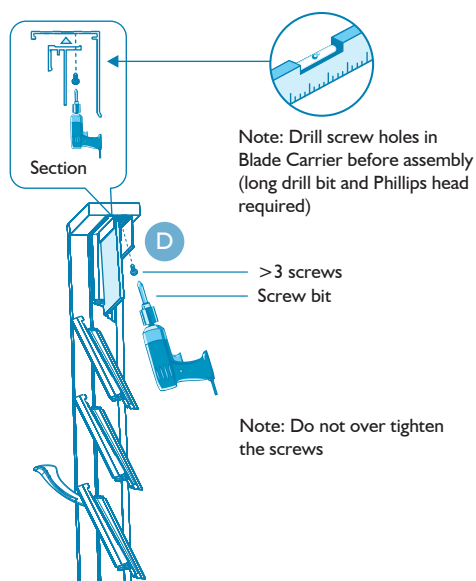
7a Cut blade carrier to length (Off-Standard Height Only)



8a Assemble blade carrier and blade into galleries (Off-Standard Height Only)



8b Rotate blade and attach (Off-Standard Height Only)



9 Insert blades and close louvres (Off-Standard Height Only)

